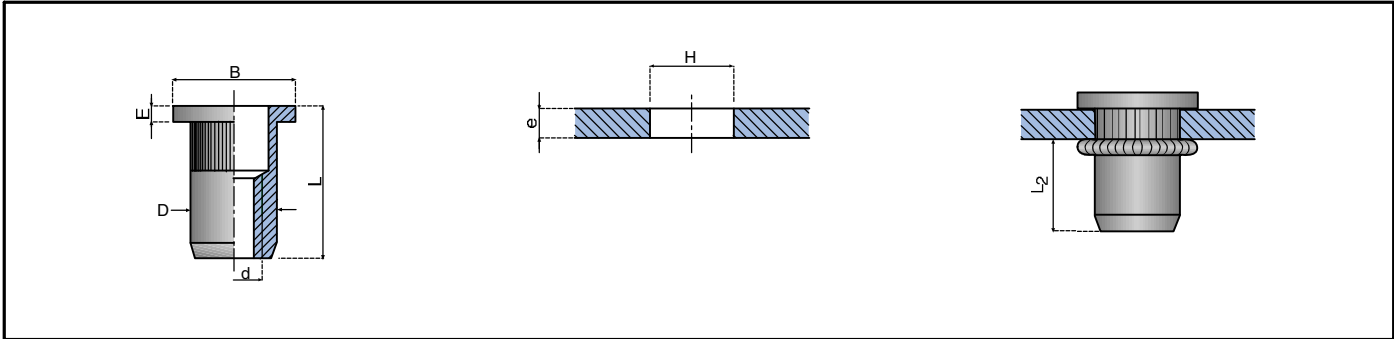


Rivnut® EZ – Flat Head Round Body

The Rivnut® EZ – Flat Head Round Body features a knurled body and is designed for use in drilled or punched round holes. The knurled body provides exceptional spin-out resistance by digging into the parent material upon installation. The Rivnut® EZ is designed to be used with inch Grade 5 or metric Class 8.8 mating hardware.



Class 2B or Metric Class 6H threads
 Steel C1010-1008
 Zinc yellow dichromate plating per ASTM B633 Fe/Zn 8 TYII

ALL DIMENSIONS SHOWN IN INCHES

d Thread Size	e Grip Range	H Hole Size		D Body Diameter	E Head Height	B Head Diameter	L Overall Length	L ₂ Installed Length	Product Code
		Min.	Max.						
6-32	0.027-0.125	0.234	0.238	0.2335	0.032	0.354	0.445	0.228	62111611125
8-32	0.027-0.125	0.234	0.238	0.2335	0.032	0.354	0.445	0.228	62111811125
8-32	0.125-0.224	0.234	0.238	0.2335	0.032	0.354	0.551	0.228	62111811223
10-32	0.027-0.125	0.272	0.276	0.2715	0.038	0.406	0.543	0.315	62112011125
10-32	0.125-0.224	0.272	0.276	0.2715	0.038	0.406	0.650	0.315	62112011223
1/4-20	0.027-0.125	0.332	0.336	0.3315	0.057	0.475	0.594	0.354	62112511125
1/4-20	0.125-0.224	0.332	0.336	0.3315	0.057	0.475	0.701	0.354	62112511223
5/16-18	0.027-0.125	0.413	0.417	0.4125	0.062	0.665	0.744	0.496	62113111125
5/16-18	0.125-0.224	0.413	0.417	0.4125	0.062	0.665	0.850	0.496	62113111223
3/8-16	0.030-0.140	0.492	0.496	0.4915	0.088	0.781	0.906	0.583	62113711140
3/8-16	0.140-0.240	0.492	0.496	0.4915	0.088	0.781	1.012	0.583	62113711250

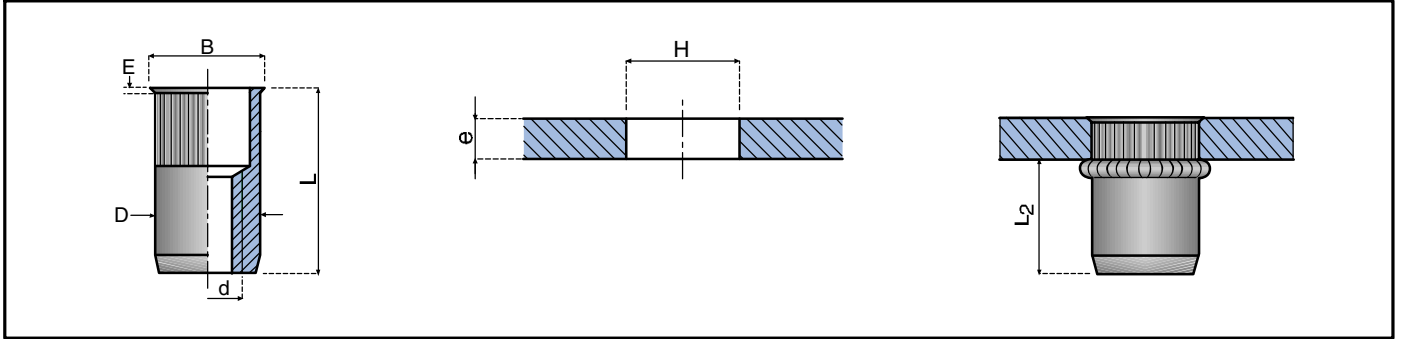
ALL DIMENSIONS SHOWN IN MILLIMETERS

M3x0.5	0.7-3.2	5.94	6.04	5.92	0.81	9.00	11.30	5.8	62110311032
M4x0.7	0.7-3.2	5.94	6.04	5.92	0.81	9.00	11.30	5.8	62110411032
M4x0.7	3.2-5.7	5.94	6.04	5.92	0.81	9.00	14.00	5.8	62110411057
M5x0.8	0.7-3.2	6.91	7.01	6.89	0.97	10.31	13.80	8.0	62110511032
M5x0.8	3.2-5.7	6.91	7.01	6.89	0.97	10.31	16.50	8.0	62110511057
M6x1.0	0.7-3.2	8.43	8.53	8.41	1.46	12.07	15.10	9.0	62110611032
M6x1.0	3.2-5.7	8.43	8.53	8.41	1.46	12.07	17.80	9.0	62110611067
M8x1.25	0.7-3.2	10.49	10.59	10.47	1.58	16.90	18.90	12.6	62110811032
M8x1.25	3.2-5.7	10.49	10.59	10.47	1.58	16.90	21.60	12.6	62110811057
M10x1.50	0.76-3.56	12.50	12.60	12.48	2.23	19.80	23.00	14.8	62111011035
M10x1.50	3.56-6.06	12.50	12.60	12.48	2.23	19.80	25.70	14.8	62111011060

Note 1: Other dimensions, finishes or design variations are available upon request.

Rivnut® EZ – Thin Head Round Body

The Rivnut® EZ – Thin Head Round Body is designed for use in drilled or punched round holes. The knurled body provides exceptional spin-out resistance by digging into the parent material upon installation. The Thin Head design installs virtually flush in standard holes eliminating the need for special hole preparation to assure a flush fit of the mating part. The Rivnut® EZ is designed to be used with inch Grade 5 and metric class 8.8 mating hardware.



Class 2B or Metric Class 6H threads
 Steel C1010-1008
 Zinc yellow dichromate plating per ASTM B633 Fe/Zn 8 TYII

ALL DIMENSIONS SHOWN IN INCHES

d	e	H		D	E	B	L	L ₂	Product Code
Thread Size	Grip Range	Hole Size Min.	Hole Size Max.	Body Diameter	Head Height	Head Diameter	Overall Length	Installed Length	
6-32	0.027-0.125	0.234	0.238	0.2335	0.012	0.261	0.425	0.228	62121611125
8-32	0.027-0.125	0.234	0.238	0.2335	0.012	0.261	0.425	0.228	62121811125
8-32	0.125-0.224	0.234	0.238	0.2335	0.012	0.261	0.531	0.228	62121811223
10-32	0.027-0.125	0.272	0.276	0.2715	0.016	0.311	0.520	0.315	62122011125
10-32	0.125-0.224	0.272	0.276	0.2715	0.016	0.311	0.626	0.315	62122011223
1/4-20	0.027-0.125	0.332	0.336	0.3315	0.016	0.371	0.551	0.354	62122511125
1/4-20	0.125-0.224	0.332	0.336	0.3315	0.016	0.371	0.658	0.354	62122511223
5/16-18	0.027-0.125	0.413	0.417	0.4125	0.016	0.453	0.685	0.496	62123111125
5/16-18	0.125-0.224	0.413	0.417	0.4125	0.016	0.453	0.791	0.496	62123111223
3/8-16	0.030-0.140	0.492	0.496	0.4915	0.020	0.531	0.845	0.583	62123711140
3/8-16	0.140-0.240	0.492	0.496	0.4915	0.020	0.531	0.940	0.583	62123711250

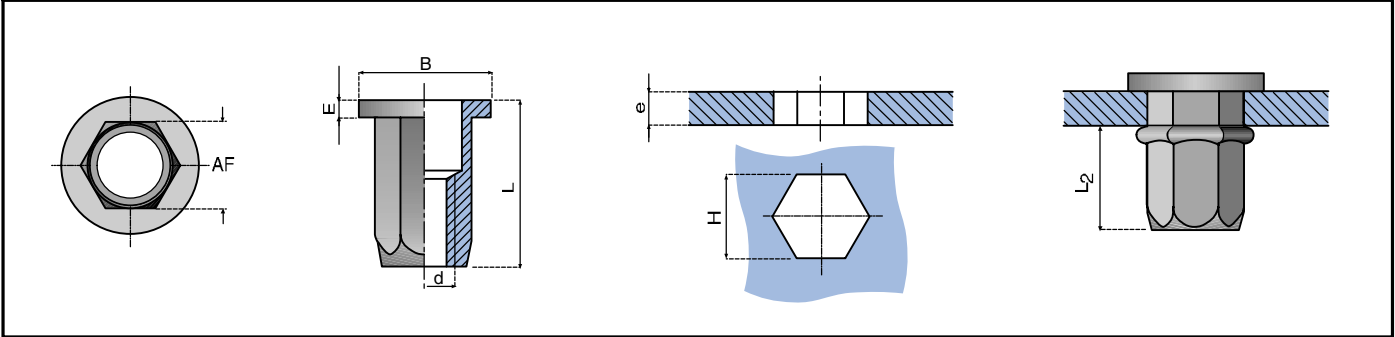
ALL DIMENSIONS SHOWN IN MILLIMETERS

M3x0.5	0.7-3.2	5.94	6.04	5.92	0.30	6.64	10.80	5.8	62120311032
M4x0.7	0.7-3.2	5.94	6.04	5.92	0.30	6.64	10.80	5.8	62120411032
M4x0.7	3.2-5.7	5.94	6.04	5.92	0.30	6.64	13.50	5.8	62120411057
M5x0.8	0.7-3.2	6.91	7.01	6.89	0.40	7.91	13.20	8.0	62120511032
M5x0.8	3.2-5.7	6.91	7.01	6.89	0.40	7.91	15.90	8.0	62120511057
M6x1.0	0.7-3.2	8.43	8.53	8.41	0.40	9.43	14.00	9.0	62120611032
M6x1.0	3.2-5.7	8.43	8.53	8.41	0.40	9.43	16.70	9.0	62120611067
M8x1.25	0.7-3.2	10.49	10.59	10.47	0.40	11.50	17.40	12.6	62120811032
M8x1.25	3.2-5.7	10.49	10.59	10.47	0.40	11.50	20.10	12.6	62120811057
M10x1.50	0.76-3.56	12.50	12.60	12.48	0.50	13.50	21.50	14.8	62121011035
M10x1.50	3.56-6.06	12.50	12.60	12.48	0.50	13.50	23.90	14.8	62121011060

Note 1: Other dimensions, finishes or design variations are available upon request.

Rivnut® EZ – Flat Head Hex Body

The Rivnut® EZ – Flat Head Hex Body is designed for use in hex punched holes. The full length hex body provides operator line of sight for hex body to hex hole alignment and insertion. The sharp corner hex body and round internal counterbore provide the ultimate in spin-out resistance. The Rivnut® EZ is designed to be used with inch Grade 5 and metric Class 8.8 mating hardware.



Class 2B or Metric Class 6H threads
 Steel C1010-1008
 Zinc yellow dichromate plating per ASTM B633 Fe/Zn 8 TYII

ALL DIMENSIONS SHOWN IN INCHES

d Thread Size	e Grip Range	H Hole Size Across Flats		AF Across Flats Max.	E Head Height Ref.	B Head Diameter Ref.	L Overall Length Ref.	L ₂ Installed Length Ref.	Product Code
		Min.	Max.						
8-32	0.027-0.125	0.236	0.240	0.2350	0.039	0.354	0.402	0.197	62211811125
10-32	0.027-0.125	0.276	0.280	0.2745	0.039	0.394	0.571	0.354	62212011125
1/4-20	0.027-0.125	0.354	0.361	0.3535	0.059	0.512	0.638	0.394	62212511125
5/16-18	0.027-0.125	0.433	0.440	0.4320	0.059	0.630	0.717	0.433	62213111125
3/8-16	0.030-0.140	0.512	0.519	0.5110	0.079	0.748	0.906	0.591	62213711140

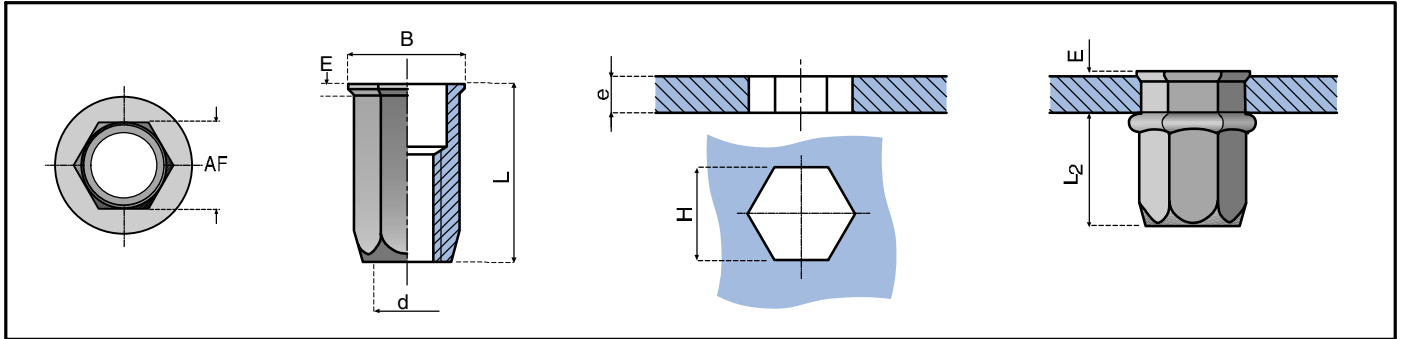
ALL DIMENSIONS SHOWN IN MILLIMETERS

M4x0.7	0.5-3.0	6.0	6.1	5.97	1.0	9.0	10.0	5.0	62210411030
M5x0.8	0.5-3.0	7.0	7.1	6.97	1.0	10.0	14.0	9.0	62210511030
M6x1.0	0.5-3.0	9.0	9.1	8.97	1.5	13.0	16.0	10.0	62210611030
M8x1.25	0.5-3.0	11.0	11.1	10.97	1.5	16.0	18.0	11.0	62210811030
M10x1.50	1.0-3.5	13.0	13.1	12.97	2.0	19.0	23.0	15.0	62211011035

Note 1: Other dimensions, finishes or design variations are available upon request.

Rivnut® EZ – Thin Head Hex Body

The Rivnut® EZ – Thin Head Hex Body is designed for use in hex punched holes. The Thin Head design installs virtually flush without special hole preparation, assuring a flush fit for the mating component. The Rivnut® EZ is designed to be used with inch Grade 5 and metric Class 8.8 mating hardware.



Class 2B or Metric Class 6H threads
 Steel C1010-1008
 Zinc yellow dichromate plating per ASTM B633 Fe/Zn 8 TYII

ALL DIMENSIONS SHOWN IN INCHES

d	e	H		AF	E	B	L	L ₂	Product Code
		Hole Size Across Flats Min.	Max.						
Thread Size	Grip Range			Across Flats Max.	Head Height Ref.	Head Diameter Ref.	Overall Length Ref.	Installed Length Ref.	
8-32	0.027-0.125	0.236	0.240	0.2350	0.012	0.260	0.374	0.197	62221811125
10-32	0.027-0.125	0.276	0.280	0.2745	0.016	0.311	0.524	0.354	62222011125
1/4-20	0.027-0.125	0.354	0.361	0.3535	0.016	0.390	0.591	0.394	62222511125
5/16-18	0.027-0.125	0.433	0.440	0.4320	0.016	0.457	0.669	0.433	62223111125
3/8-16	0.030-0.140	0.512	0.519	0.5110	0.020	0.559	0.843	0.591	62223711140

ALL DIMENSIONS SHOWN IN MILLIMETERS

M4x0.7	0.5-3.0	6.0	6.1	5.97	0.30	6.6	9.5	5.0	62220411030
M5x0.8	0.5-3.0	7.0	7.1	6.97	0.40	7.9	13.3	9.0	62220511030
M6x1.0	0.5-3.0	9.0	9.1	8.97	0.40	9.9	15.0	10.0	62220611030
M8x1.25	0.5-3.0	11.0	11.1	10.97	0.40	11.6	17.0	11.0	62220811030
M10x1.50	1.0-3.5	13.0	13.1	12.97	0.50	14.2	21.4	15.0	62221011035

Note 1: Other dimensions, finishes or design variations are available upon request.